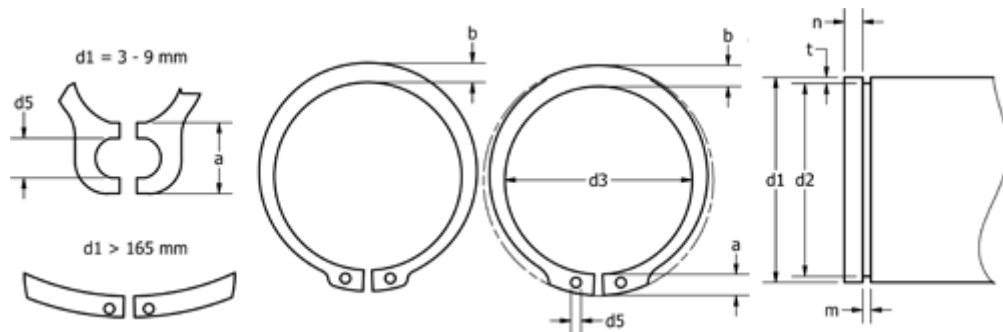


Article number: 0101232
 Description: Retaining ring A 540 DIN 471
 Spring steel
 Note: Fitted with ZGA pilers

Measures



a max	=	FN kN	= 1953.0	s	= 8.00
AN mm ²	= 11721.0	FRg kN	= 158.00	t	= 7.00
b	= 26.0	FR kN	= 1846.00	tol	= -1.00
d1	= 540	g	= 7.0	tol	= -0.15
d2	= 526.0	K kN-mm	= 4229.00	tol	= +1,50-3,00
d3	= 515.0	m min	= 8.20	Tong	= ZGA-7
d5 min	= 6.0	n abl x 1000	= 0.4	Weight kg/1000	= 999.999
Description	= A540	Nominal drive	= 21.0		